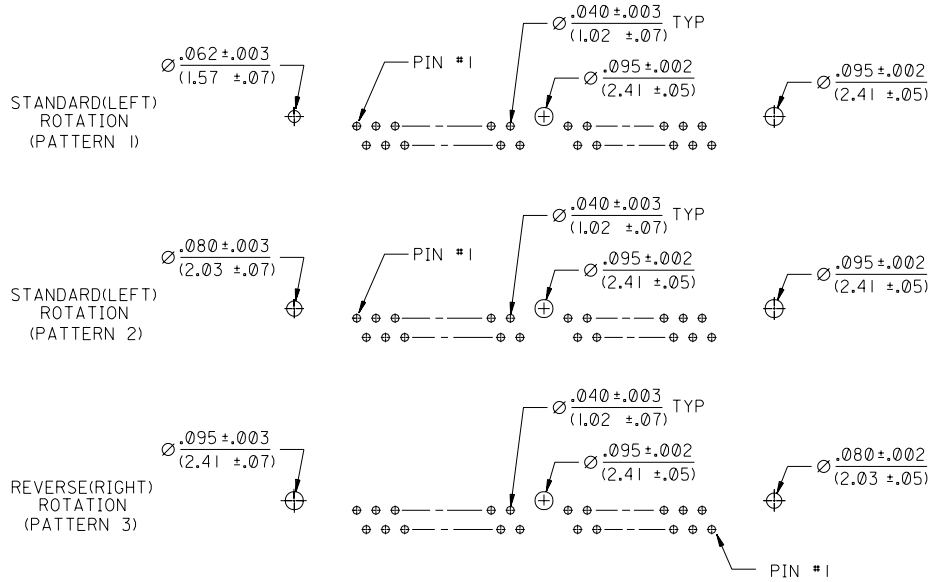


THROUGH HOLE

SHEET #	MODULE HEIGHT	LATCH	ROTATION	PCB PATTERN
2	.125	PLASTIC	STANDARD(LEFT)	PATTERN 1
3	.125	PLASTIC	REVERSE(RIGHT)	PATTERN 3
4	.160	PLASTIC	STANDARD(LEFT)	PATTERN 1
5	.160	PLASTIC	STANDARD(LEFT)	PATTERN 2
6	.160	PLASTIC	REVERSE(RIGHT)	PATTERN 3
7	.160	METAL	STANDARD(LEFT)	PATTERN 1
8	.160	METAL	STANDARD(LEFT)	PATTERN 2
9	.160	METAL	REVERSE(RIGHT)	PATTERN 3
10	.190	PLASTIC	STANDARD(LEFT)	PATTERN 1
11	.190	PLASTIC	STANDARD(LEFT)	PATTERN 2
12	.190	PLASTIC	REVERSE(RIGHT)	PATTERN 3
13	.190	METAL	STANDARD(LEFT)	PATTERN 1
14	.190	METAL	STANDARD(LEFT)	PATTERN 2
15	.190	METAL	REVERSE(RIGHT)	PATTERN 3
16	.250	PLASTIC	STANDARD(LEFT)	PATTERN 1
17	.250	PLASTIC	STANDARD(LEFT)	PATTERN 2
18	.250	PLASTIC	REVERSE(RIGHT)	PATTERN 3
19	.250	METAL	STANDARD(LEFT)	PATTERN 1
20	.250	METAL	STANDARD(LEFT)	PATTERN 2
21	.250	METAL	REVERSE(RIGHT)	PATTERN 3
22	.290	PLASTIC	STANDARD(LEFT)	PATTERN 1
23	.290	PLASTIC	STANDARD(LEFT)	PATTERN 2
24	.290	PLASTIC	REVERSE(RIGHT)	PATTERN 3
25	.290	METAL	STANDARD(LEFT)	PATTERN 1
26	.290	METAL	STANDARD(LEFT)	PATTERN 2
27	.290	METAL	REVERSE(RIGHT)	PATTERN 3

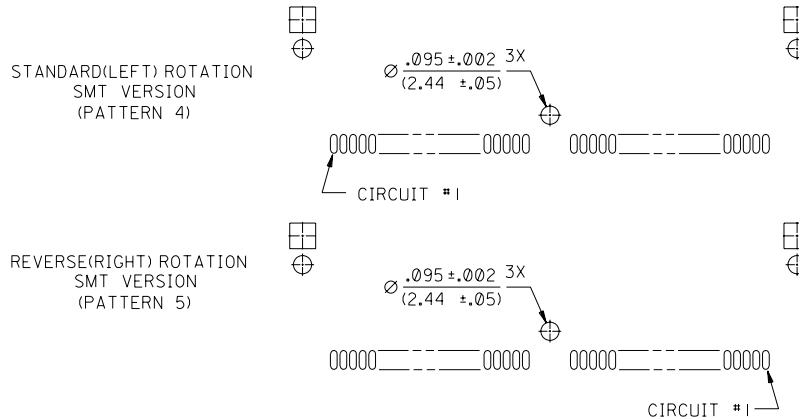
THROUGH HOLE PATTERNS



SURFACE MOUNT

SHEET #	MODULE HEIGHT	LATCH	ROTATION	PCB PATTERN
28	.160	METAL	STANDARD(LEFT)	PATTERN 4
29	.160	METAL	REVERSE(RIGHT)	PATTERN 5
30	.190	METAL	STANDARD(LEFT)	PATTERN 4
31	.190	METAL	REVERSE(RIGHT)	PATTERN 5
32	.250	METAL	STANDARD(LEFT)	PATTERN 4
33	.250	METAL	REVERSE(RIGHT)	PATTERN 5
34	.290	METAL	STANDARD(LEFT)	PATTERN 4
35	.290	METAL	REVERSE(RIGHT)	PATTERN 5

SURFACE MOUNT PATTERNS

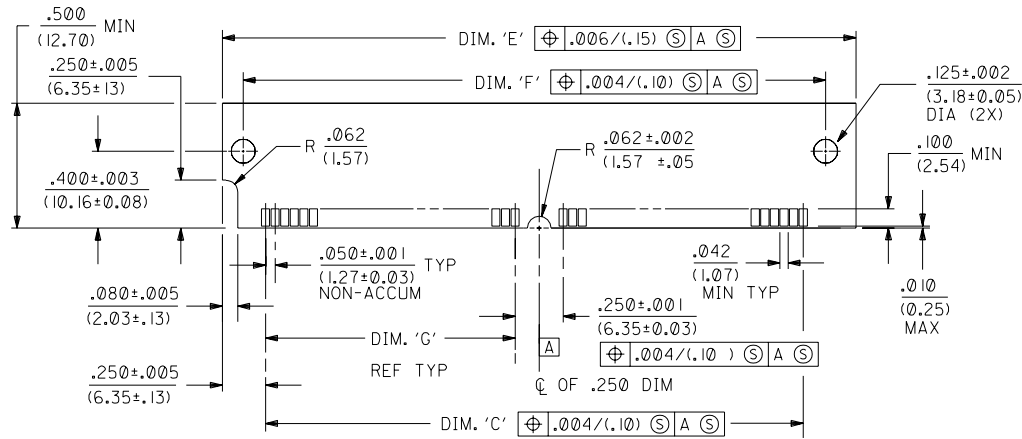


P.C. BOARD HOLE PATTERNS

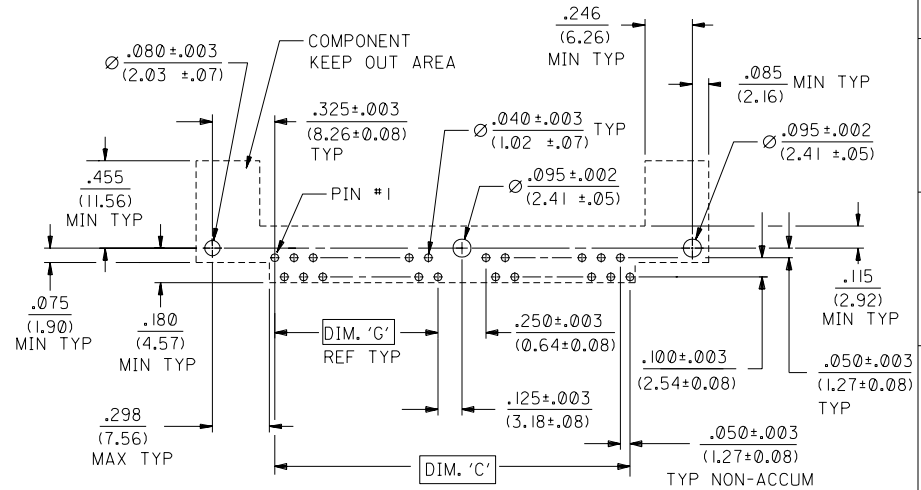
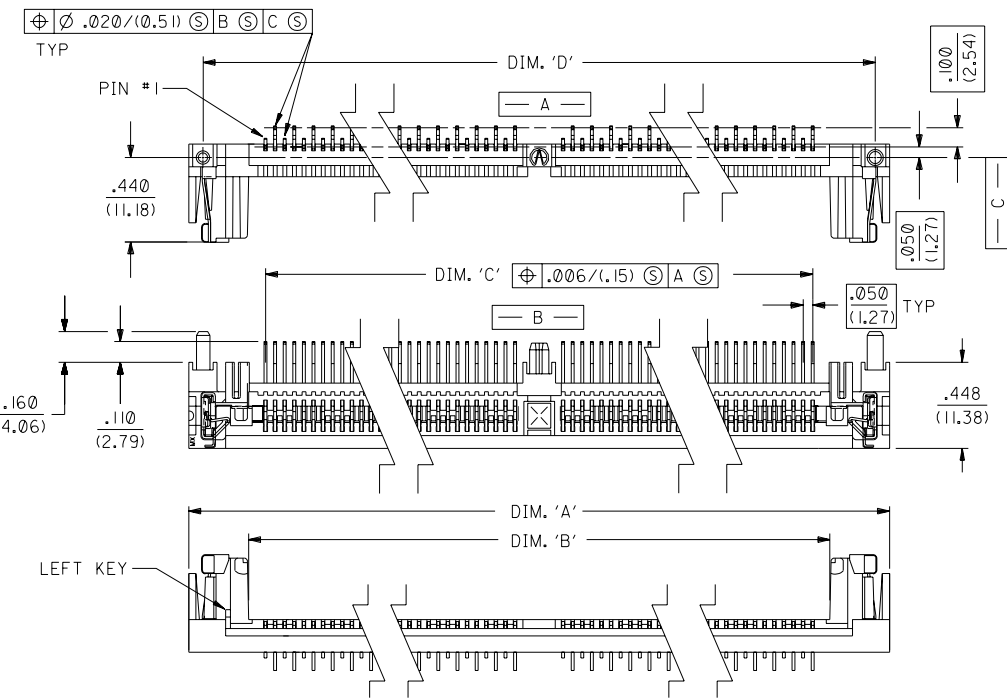
35	D
34	D
33	D
32	D
31	D
30	D
29	D
28	D
27	D
26	D
25	D
24	D
23	D
22	D
21	D
20	D
19	D
18	D
17	D
16	D
15	D
14	D
13	D
12	D
11	D
10	D
9	D
8	D
7	D
6	D
5	D
4	D
3	D
2	D
1	D

DIMENSIONS SHOWN (METRIC) INCH		▽ = 0		= 0		REVISIONS ONLY ON CAD SYSTEM	
UNLESS OTHERWISE SPECIFIED TOLERANCES: ANGULAR ± 1/2°							
INCH		METRIC					
3 PLACE	± .01	---					
2 PLACE	± .014	± 0.25					
1 PLACE	---	± 0.36					
DRAFT WHERE APPLICABLE MUST REMAIN WITHIN DIMENSIONS							
DRWG. BY	AMD	CHK'D. BY		FILE NAME	SD78968001	SHEET NO.	1 OF 35
APPR. BY		SCALE	2 : 1	DATE	11/11/93	U.S.A.	
SEE CHART				SDA-78968-*****			
THIS DRAWING CONTAINS INFORMATION THAT IS PROPRIETARY TO MOLEX INC. AND SHOULD NOT BE USED WITHOUT WRITTEN PERMISSION.							

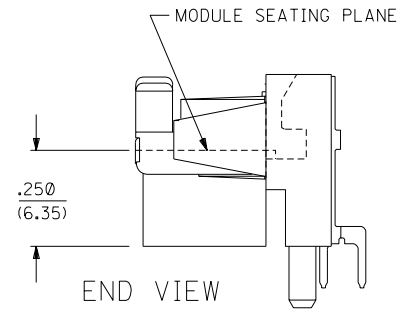
78968



"SIMM" P.C. BOARD LAYOUT



RECOMMENDED SOCKET P.C. BOARD HOLE PATTERN



END VIEW SCALE 4:1

- NOTES:
- CARD SLOT ACCEPTS  $.050 + .004 / -.003$  P.C. BOARDS (MEASURED OVER P.C. PADS).
  - CENTER PEG IS AN INTERFERENCE FIT TO RECOMMENDED P.C. BOARD HOLE. (WHERE APPLICABLE)
  - PRODUCT SPEC PS-78968 APPLIES
- MATERIALS:
- HOUSING- LCP , GLASS FILLED, 94V-0, COLOR: BLACK.
  - TERMINAL- PHOSPHOR BRONZE
- PLATING - SEE CHART
- THE PRIMARY SHIPPING CARTON WILL BE LABELED "COMPLIANT TO ROHS DIRECTIVE 2002/95/EC AND ELV ANNEX II OF DIRECTIVE 2000/53/EC". CARTONS WITHOUT THIS LABEL MAY CONTAIN PRODUCT WITH LEAD.

CIRCUITS	DIM. 'A'	DIM. 'B'	DIM. 'C'	DIM. 'D'	DIM. 'E'	DIM. 'F'	DIM. 'G'	ENG. NUMBER TIN PLATING	EDP NUMBER TIN PLATING	ENG. NUMBER GOLD PLATING	EDP NUMBER GOLD PLATING
40	2.950/(74.93)	2.327/(59.11)	2.150/(54.61)	2.800/(71.12)	2.650/(67.31)	2.384/(60.55)	.950/(24.13)	-4046	15-82-1542	-4047	15-82-1549
64	4.150/(105.41)	3.527/(89.58)	3.350/(85.09)	4.000/(101.60)	3.850/(97.79)	3.584/(91.03)	1.550/(39.37)	-6445	15-82-1543	-6446	15-82-1550
68	4.350/(110.49)	3.727/(94.66)	3.550/(90.17)	4.200/(106.68)	4.050/(102.87)	3.784/(96.12)	1.650/(41.91)	-6845	15-82-1544	-6846	15-82-1551
72	4.550/(115.57)	3.927/(99.74)	3.750/(95.25)	4.400/(111.76)	4.250/(107.95)	3.984/(101.19)	1.750/(44.45)	-7248	15-82-1538	-7230	15-82-0312
80	4.950/(125.73)	4.327/(109.90)	4.150/(105.41)	4.800/(121.92)	4.650/(118.11)	4.384/(111.35)	1.950/(49.53)	-8046	15-82-1546	-8047	15-82-1552
84	5.150/(130.81)	4.527/(114.98)	4.350/(109.22)	5.000/(127.00)	4.850/(123.19)	4.584/(116.43)	2.050/(52.07)	-8446	15-82-1547	-8447	15-82-1553
100	5.950/(151.13)	5.327/(135.13)	5.150/(130.81)	5.800/(147.32)	5.650/(143.51)	5.384/(136.75)	2.450/(62.23)	-1045	15-82-1548	-1030	15-82-0311

D		SEE SHEET 1
A		SEE SHEET 1

MFG. SH.	REV.	LTR.	REVISIONS

DIMENSIONS SHOWN (METRIC) INCH  
 UNLESS OTHERWISE SPECIFIED  
 TOLERANCES: ANGULAR  $\pm 1/2^\circ$

PLACE	INCH	METRIC
5 PLACE	$\pm .01$	---
2 PLACE	$\pm .014$	$\pm 0.25$
1 PLACE	---	$\pm 0.36$

DRAFT WHERE APPLICABLE MUST REMAIN WITHIN DIMENSIONS

DRWG. BY: AMD  
 CHK'D. BY: SCALE: 2:1  
 FILE NAME: SDA7896820  
 APP'D. BY:

TITLE: SALES ASSM, METAL LATCH .250 MOD. HGT., LEFT (STD.) KEY, RIGHT ANGLE SIMM SOCKET  
 PART NO.: SEE CHART  
 DRWG. NO.: SDA-78968-\*\*\*\*  
 MFG. INCORPORATED: MOLEX INCORPORATED  
 SHEET NO.: 20  
 DATE: 11/11/93  
 U.S.A.

THIS DRAWING CONTAINS INFORMATION THAT IS PROPRIETARY TO MOLEX INC. AND SHOULD NOT BE USED WITHOUT WRITTEN PERMISSION.